

UNIVERSAL MIXER



HIGH-SPEED MIXER



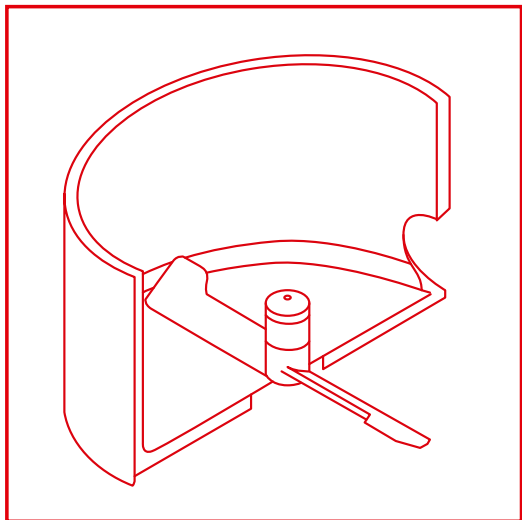
## Tailor-made mixers

Universally applicable and individually tailored to your mixing tasks

HIGH FLEXIBILITY | BEST MIXING QUALITY | VERSATILE APPLICATION PURPOSES

# Universal Mixer (M)

Mixing up to 6,000 liters



## Ideal for the following products

TPE | ABS | ADDITIVES | COMPOUNDS | EPS | POM |  
PS/PP PTFE | POWDER COATING | FOOD | POWDER  
RUBBER | BATTERY MASS

## Applications

- Homogenizing
- Dispersing
- Wetting
- Crushing
- Tempering

## Product advantages:

- Mixer volumes up to 6,000 liters possible
- Perfected and modular machine concept
- Individually configurable mixer solutions
- Mixing tools tailored to the product for optimal mixing
- Contoured discharge ensures emptying the mixer with minimum residue
- User-oriented mixer control with interface to MIXACO Control Center
- Perfected and long-life machine technology ensures an economic investment

## Technical Data

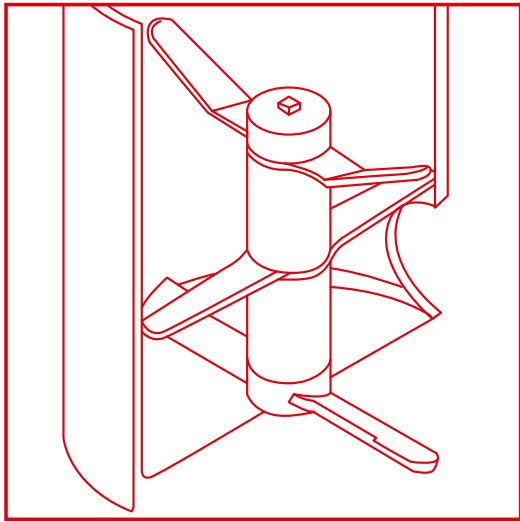
- 10–15 m/s low circumferential speed
- Ratio of height / diameter of the mixing container: ~ 0.7–1
- Double-jacket container for insulation / tempering
- Modular designed tool system

Universal Mixer	Usable volume liters	Output kW (*)
20	16	5.5
40	32	7
80	64	15
200	160	18
300	240	22
450	360	30
650	520	37
850	680	45
1000	800	55
1500	1200	75
2000	1600	110
3000	2400	132
5000	4000	160
6000	4800	160

\* The output information depends on the application and may vary.

# High-Speed Mixer (SM)

Quick and intensive



## Ideal for the following products

PVC | WPC | MASTERBATCHES | SPC | COMPOUNDS  
PIGMENTS | TPE | BONDING | ADDITIVES | BATTERY  
MASS

## Applications

- Homogenizing
- Dispersing
- Dyeing
- Coating
- Bonding
- Treating
- Agglomerating
- Crushing
- Drying
- Disintegrating and dyeing of fibers

## Product advantages:

- Perfected and modular machine concept
- Individually configurable mixer solutions
- Mixing tools tailored to the product for optimal mixing
- Controllable warming-up / heating of the mix
- Combinable with a cooling mixer for separate cooling of the mix
- Contoured discharge ensures emptying the mixer with minimum residue
- User-oriented mixer control with interface to MIXACO Control Center
- Perfected and long-life machine technology ensures an economic investment

## Technical Data

- 15–30 m/s low circumferential speed
- Ratio of height / diameter of the mixing container: ~ 1.2
- Double-jacket container for insulation / tempering
- Modular designed tool system

High-Speed Mixer	Usable volume liters	Output kW (*)
20	16	11
40	32	22
80	64	30
200	160	45
300	240	75
450	360	110
550	440	132
650	520	132
850	680	160
1000	800	200
1200	960	200
1500	1200	315
2000	1600	500
2500	2000	630

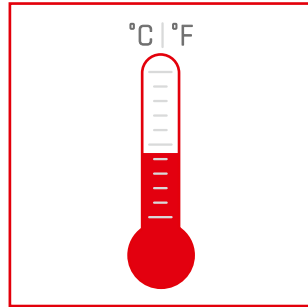
\* The output information depends on the application and may vary.

# Options

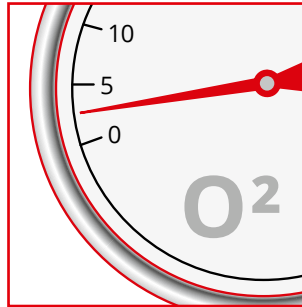
Container weighing



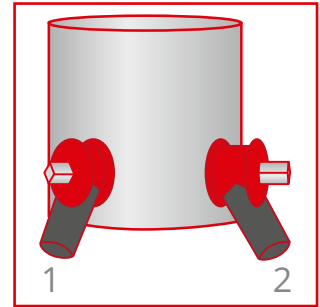
Container tempering



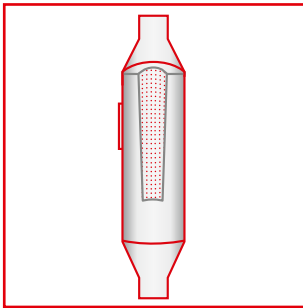
Oxygen concentration measurement



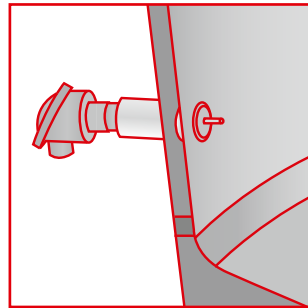
Second discharge



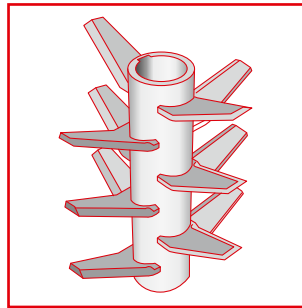
Jet filter



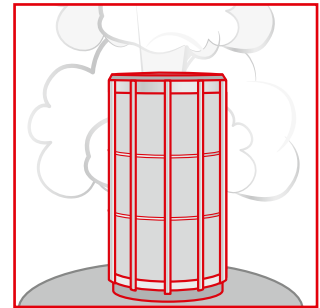
Temperature sensor



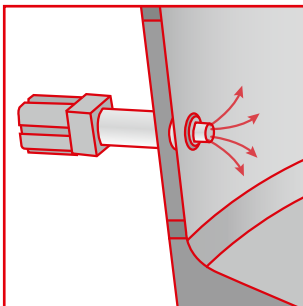
Chopper



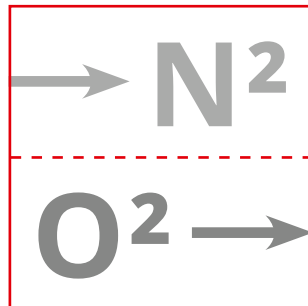
Explosion suppression systems



Injection



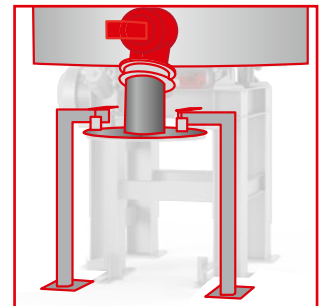
Nitrogen inerting



Wearing protection



Container loading



## ATEX

Depending on the design, our mixers can be used in potentially explosive dust atmospheres of all ATEX zones. A machine acceptance is performed and documented by an official inspection site or an employee with appropriate certification.

### ATEX classification

Devices for use in potentially explosive dust atmospheres

Zone	20	21	22
Danger	Constant, frequent or over a longer period of time	Occasional	Rare or temporary

# Control

Our mixing equipment is controlled with a Siemens S7 PLC and meets today's requirements for safety, efficiency and cost-effectiveness. Since the control is developed and programmed by one and the same company, it is virtually ensured that the mixer components are optimally integrated. As an alternative, it is also possible to use Allen-Bradley components (incl. Panelview operating unit). Control can also be designed according to UL / NEMA. Additionally, the control can be equipped with an interface for data exchange with higher-level control.



## Siemens TP700

- Using the touch control panel TP700, up to 99 mixing programs can be created in table form with ten work steps each.
- Data recording and storing measured values

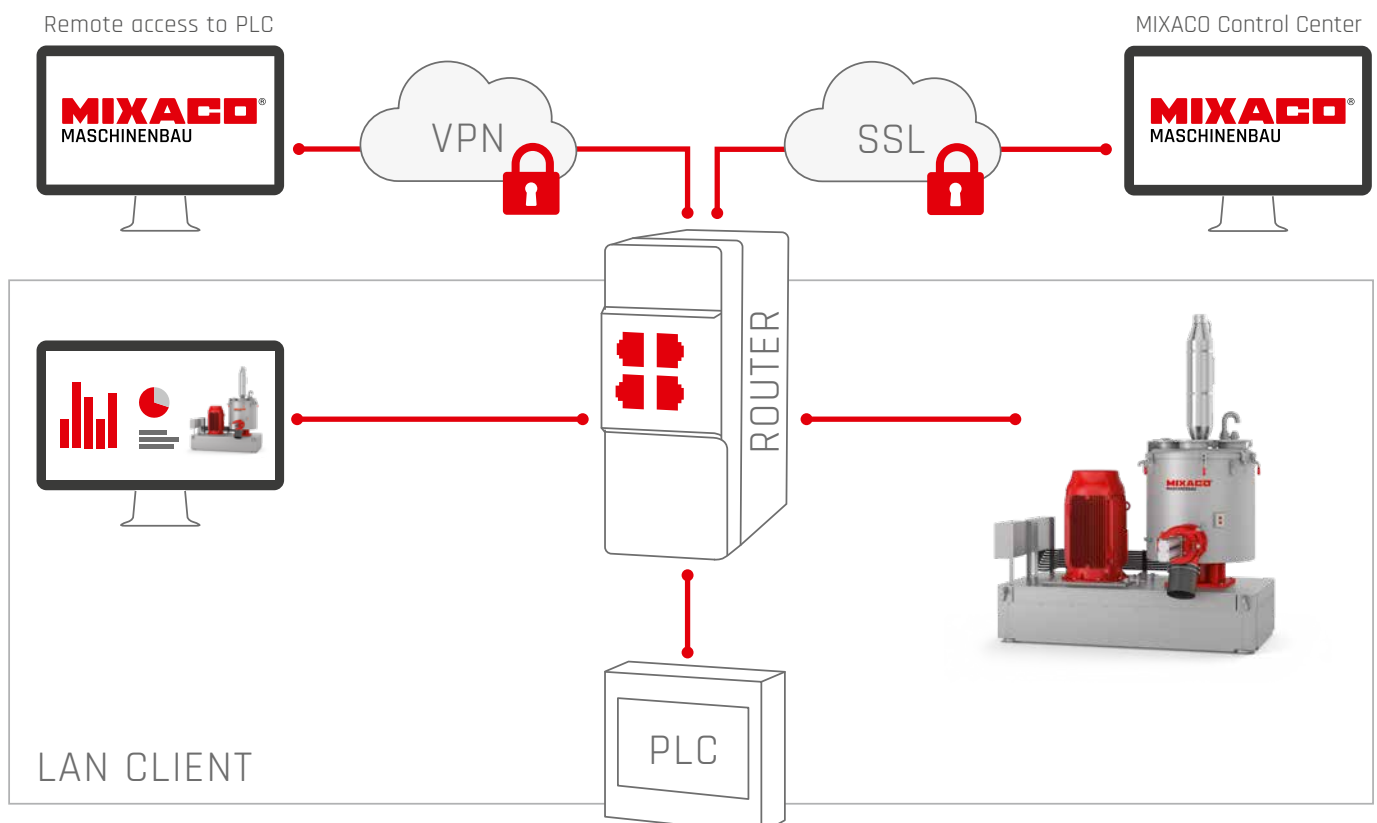


## Allen Bradley

- Control according to UL / NEMA standards with an Allen Bradley PLC and a Panelview operating unit

## Remote maintenance module

The remote maintenance module enables quick and safe access to the control of the mixing equipment via a VPN tunnel to facilitate swift troubleshooting and rectification of the issue by our service staff. This prevents service calls on site.



Good ideas are conceived.  
But the right solutions are put to the test.



Contact us for your mixing trials and benefit from the extensive experience of our technicians and process engineers:

- Tests on various mixing systems
- Adaptation of mixing parameters
- Recording and documentation of mixing tests
- Analysis of mixing results



## MIXACO

Dr. Herfeld GmbH & Co. KG

Niederheide 2  
58809 Neuenrade  
Germany

Phone +49 2392 9644-0  
Fax +49 2392 62013  
info@mixaco.de

MIXACO USA LLC

1784 Poplar Drive  
Greer, SC 29651  
USA

Phone +1 864 331 23 20  
Fax +1 864 331 23 21  
info@mixaco.com